

# Generalized optical power meter module

M 0 0 4 series

**Various light sources from the visible to the infrared region. Multi-range of illumination, measured with high sensitivity. Suited for optical power meter for various types of optical experiments and optical application equipment**



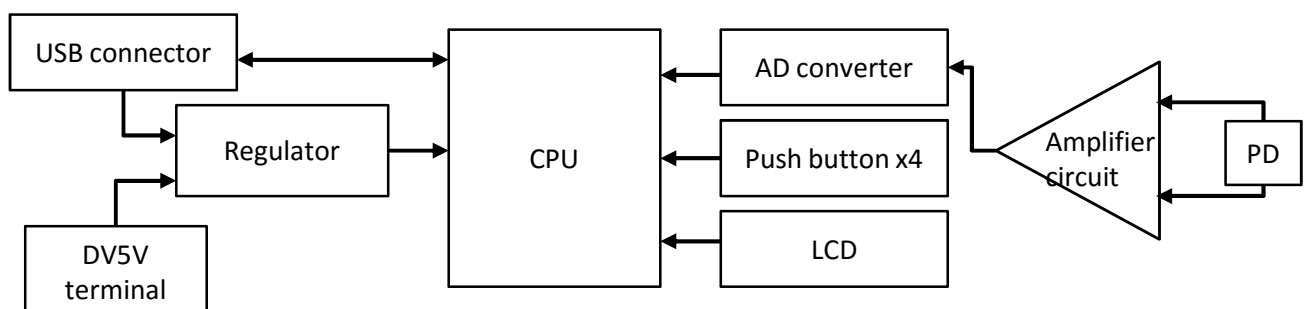
## Overview

- Detector Si-PD (from the visible light range to the near infrared range), then use the InGaAs-PD (infrared region), it covers the range from the detection wavelength 350nm to 1700nm.
- Measurement result, displays photocurrent value, power value and ADC value.
- Control signal, input measurement range, zero cancellation, accumulated number of times, and detection wavelength.
- Measurement results, control commands, along with the LCD display, can input any PC via the USB

## Application

- Light-emitting source, power measurement of illuminance surface
- Optical experiments for general use
- Optical detection module of the light application systems

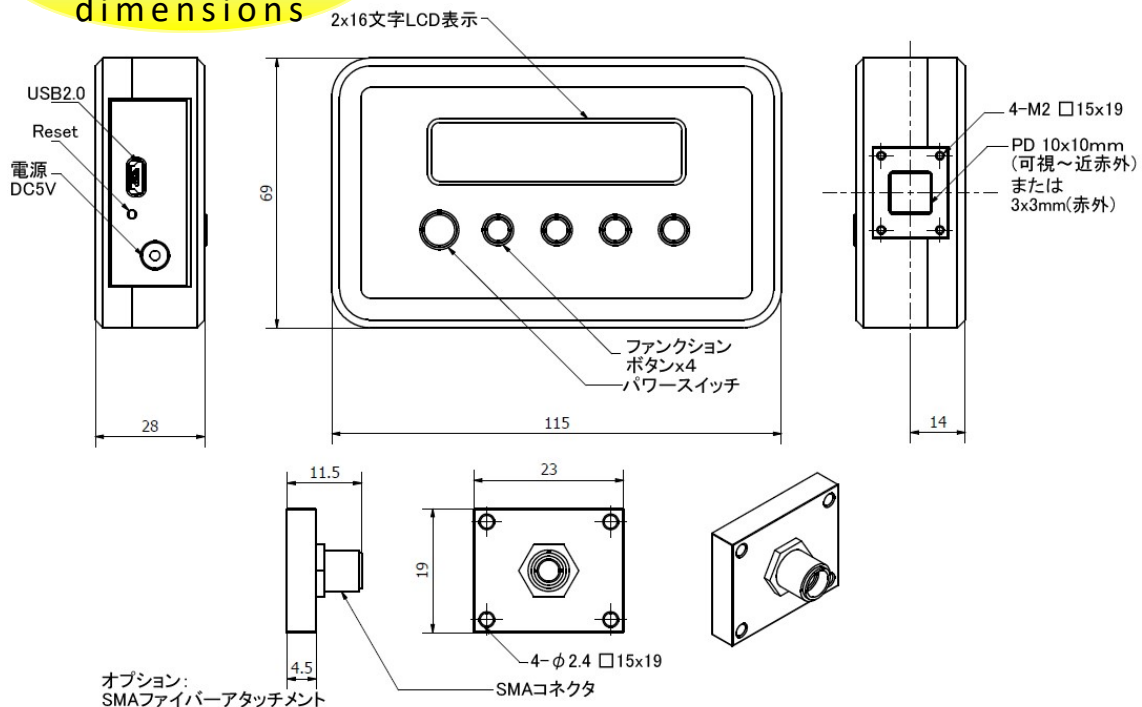
## Block diagram



## Specification

Items	M004-01	M004-02
Wavelength range	350nm~1100nm	900nm~1700nm
Detector type size (mm)	Si photodiode acceptance surface: 10 * 10	InGaA sphotodiode acceptance surface: φ3
Detection range	20nW~5mW	
Linearity	±1.0%	
Resolution	1nW	
Measurement range	1,100,10000 times and selection from the automatic switching	
AD resolution	16bit	
Optical coupling	SMA optical fiber (Removable)	
Driving power	ACadapter 5V or USB bus power	
Output Display	Detected light intensity (Current value, Watt, Relative ADC value)	
Control signal	Measurement range. Zero cancellation. Cumulated number. Detection wavelength.	
Data transfer	Save via USB to the PC	
LCD	16 × 2 character	
Size	115 W × 68 D × 30 H [mm]	
Weight	161.5 g	

## Configuration and external dimensions



**OMT OPTO-MECHATRONIX.INC**

Hi-Cube203, 3-1-7 Wajiyama, Naka-ku,  
Hamamatsu city, Shizuoka-pref. 432-8003 Japan

TEL・FAX 053-473-2261 Cell phone 090-3251-5694  
Mail : kume@opt-mt.com URL : <http://www.opt-mt.com>